

ABB machinery drives ACS355, 0.5 to 10 hp

The ABB machinery drives are designed to be fast drives to install, parameter-set and commission. Thus saving hours of engineering work. They are highly compact and cost effective and equipped with cutting-edge intelligence and an innovative safety capability. The drives are designed specifically to meet the production and performance needs of system integrators, original equipment manufacturers (OEMs) and panel builders, as well as the requirements of end users in a broad range of applications.



Highlights

- Worldwide availability and service
- Exceptionally compact drives and uniform design
- Quick commissioning with application macros and panel assistants
- Safe torque off function (SIL 3) as standard
- Sensorless vector control
- Built-in brake chopper
- High protection class variants for demanding environments
- Permanent magnet and induction motor control
- Torque memory for lifting applications
- Common DC bus
- 600 Hz maximum output frequency
- Sequence programming for controlling state machines without a PLC

Saving time in installation and commissioning

The drive's compact and uniform dimensions facilitate multiple drive solutions and cabinet installations. Different mounting options enable flexible installation in restricted spaces.

With the FlashDrop tool the drive can be preconfigured in seconds without powering the drive. The drive's application macros and assistants enable fast and easy commissioning.

Saving cost with cutting-edge intelligence and flexibility

Up to eight preset sequences of operations can be created in minutes with the drive's PC tool to reduce the need for external PLC components. Versatile fieldbus connectivity to most PLCs on the market is also available. The drive includes Safe torque-off function as standard helping machine builders to fulfill the latest machinery directives.

Additional features include Speed Compensated Stop. This makes the drive ideal for material handling applications that require precision stopping that is independent of variations in process speed. For demanding environments high protection class variants are available in IP66/IP67/UL Type 4X classes that are NSF certified.

Power and voltage range

- 1-phase, 200 to 240 V \pm 10%
0.37 to 2.2 kW (0.5 to 3 hp)
- 3-phase, 200 to 240 V \pm 10%
0.37 to 11 kW (0.5 to 10 hp)
- 3-phase, 380 to 480 V \pm 10%
0.37 to 22 kW (0.5 to 10 hp)

Options

- Auxiliary I/O modules
 - MTAC pulse encoder interface
 - MREL module for additional relays
 - MPOW for external auxiliary power supply
- Fieldbus connection via optional modules
 - PROFIBUS DP
 - CANopen[®]
 - DeviceNet[™]
 - Modbus
 - Ethernet
 - Profinet
 - EtherCAT[®]
 - LonWorks[®]
- FlashDrop tool for fast pre-configuration without powering the drive
- DriveWindow Light PC tool for easy parameter setting and graphical sequence programming
- External EMC filters for category C2 compatibility
- Input chokes for IEC 61000-3-12 compatibility

Technical data and types

IP66/UL Type 4X

Ratings			Type designation	Frame size	IP66//UL Type 4X			
P_N hp	P_N kW	I_{2N} A			H in	W in	D in	Weight lb
1-phase AC supply. 200 to 240 V								
0.5	0.37	3.5	MNX355-06A7-1PH	R1	12.0	7.7	11.1	17.0
1	0.75	4.9	MNX355-09A8-1PH	R3	17.2	9.7	10.9	17.0
2	1.5	10.2	MNX355-17A6-1PH	R3	17.2	9.7	10.9	17.0
3-phase AC supply. 200 to 240 V								
0.5	0.37	2.4	MNX355-02A4-2	R1	12.0	7.7	11.1	17.0
0.75	0.55	3.5	MNX355-03A5-2	R1	12.0	7.7	11.1	17.0
1	0.75	4.7	MNX355-04A7-2	R1	12.0	7.7	11.1	17.0
1.5	1.1	6.7	MNX355-06A7-2	R1	12.0	7.7	11.1	17.0
2	1.5	7.5	MNX355-07A5-2	R1	12.0	7.7	11.1	17.0
3	2.2	9.8	MNX355-09A8-2	R3	17.2	9.7	10.9	28.7
5	4	17.6	MNX355-17A6-2	R3	17.2	9.7	10.9	28.7
3-phase AC supply. 380 to 480 V								
0.5	0.37	1.2	MNX355-01A2-4	R1	12.0	7.7	11.1	17.0
0.75	0.55	1.9	MNX355-01A9-4	R1	12.0	7.7	11.1	17.0
1	0.75	2.4	MNX355-02A4-4	R1	12.0	7.7	11.1	17.0
1.5	1.1	3.3	MNX355-03A3-4	R1	12.0	7.7	11.1	17.0
2	1.5	4.1	MNX355-04A1-4	R1	12.0	7.7	11.1	17.0
3	2.2	5.6	MNX355-05A6-4	R1	12.0	7.7	11.1	17.0
5	4	8.8	MNX355-08A8-4	R1	12.0	7.7	11.1	17.0
7.5	5.5	12.5	MNX355-12A5-4	R3	17.2	9.7	10.9	28.7
10	7.5	15.6	MNX355-15A6-4	R3	17.2	9.7	10.9	28.7

H2 = Height with fastenings but without clamping plate.

H = Height, W = Width, D = Depth

B063 = IP66/IP67/UL Type 4X enclosure

F278 = Optional disconnect switch for IP66/UL Type 4X

Mains connection

Voltage and power connection

1-phase, 200 to 240 V $\pm 10\%$:
0.5 to 3 hp (0.37 to 2.2 kW) 3-
phase, 200 to 240 V $\pm 10\%$: 0.5
to 10 hp (0.37 to 11 kW) 3-
phase, 380 to 480 V $\pm 10\%$: 0.5
to 10 hp (0.37 to 22 kW)

Frequency

48 to 63 Hz

Motor connection

Voltage

3-phase, from 0 to U_{SUPPLY}

Frequency

0 to 599 Hz

Overload capacity

1.5 x I_{2N} for 1 minute every 10 minutes
At start 1.8 x I_{2N} for 2 seconds

Switching frequency

4 (default) to 16 kHz with 4 kHz steps

Parameter-enabled noise cancellation function

Programmable control connections

Two analog inputs, signal selectable

Voltage signal

+ 10 V, 0 (2) to 10 V

Current signal

± 20 mA, 0 (4) to 20 mA

One analog output

0 (4) to 20 mA

Five digital inputs

12 to 24 V, PNP and NPN, programmable DI5 0
to 16 kHz pulse train

One relay output

NO + NC, 250 V AC/2 A, 30 V DC/0.5 A

One digital output

Transistor output, 30 V DC/100 mA,
programmable 10 Hz to 16 kHz pulse train

Accuracy

24 V DC $\pm 10\%$, max. 200 mA

Environmental limits

Ambient temperature

14 to 104 °F (-10 to 40 °C), no frost allowed

122 °F (50 °C) with 10% derating

Relative humidity

Lower than 95% (without condensation)

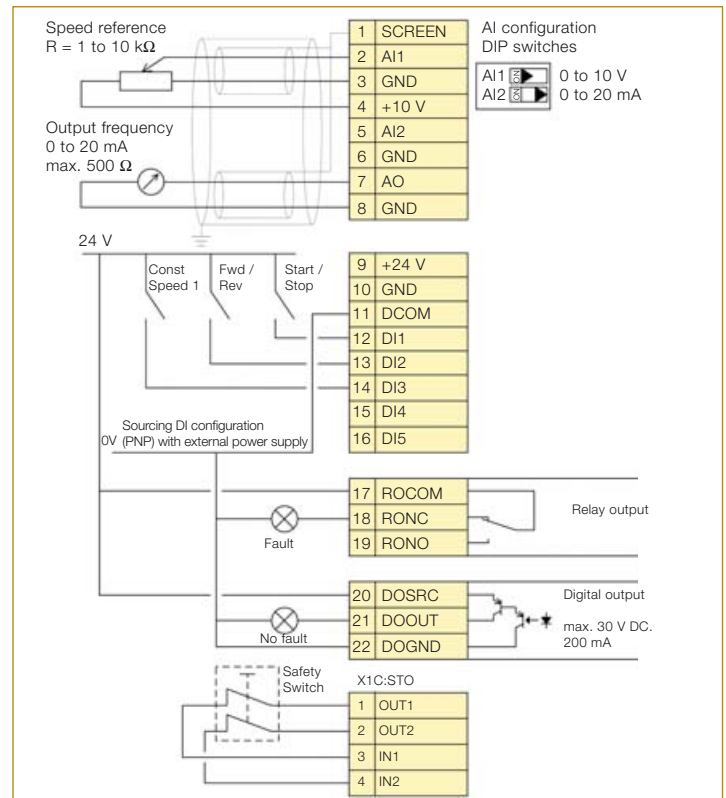


Figure 1. Inputs and outputs configuration based on ABB standard macro and external digital input supply voltage.

For more information please contact your local ABB representative or visit:

www.abb.com/drives

© Copyright 2016 ABB. All rights reserved. Specifications subject to change without notice.